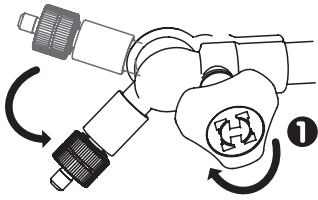


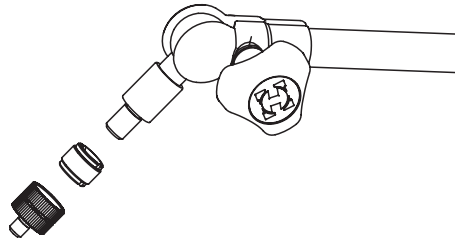


# Universal Podcast Mic & Camera Arm Stand DG107B User Manual

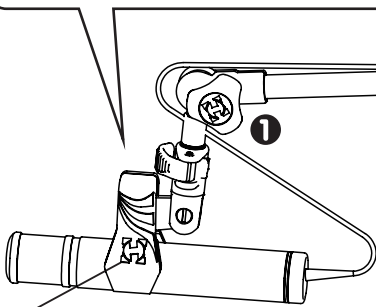
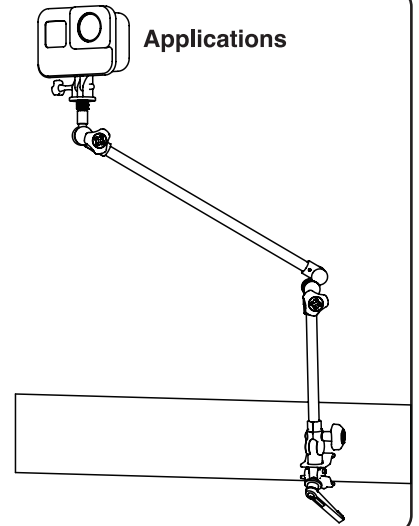
## Applications



Flexible balljoint adjusts your device to desired positions by loosening/ tightening the knob (1).



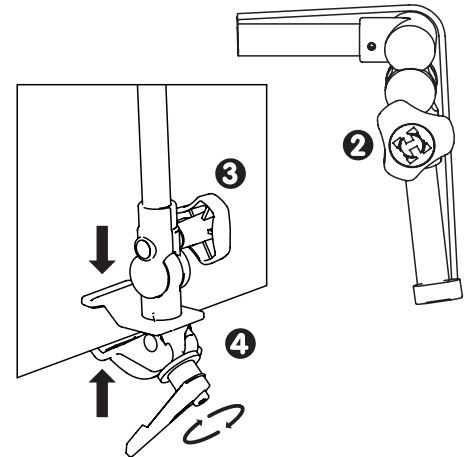
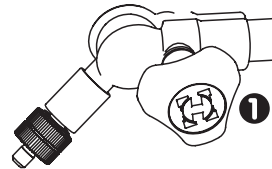
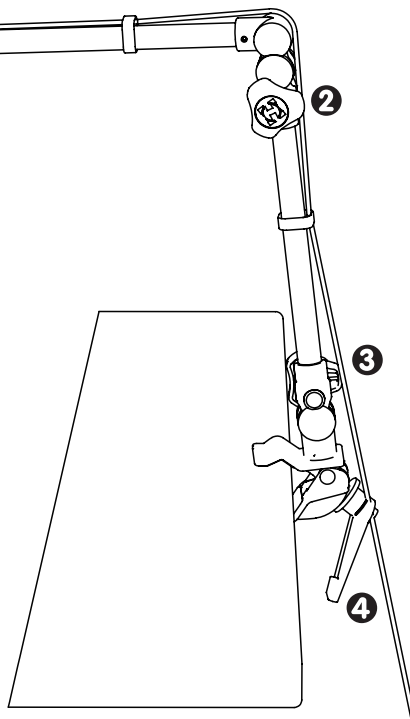
- 1/4" - 20 Camera Thread Screw
- Built-in 3/8" Mic Thread
- 3/8" to 5/8" Mic Thread Adapter



**MH100B EZ Mic Clip**  
(not included in the package)

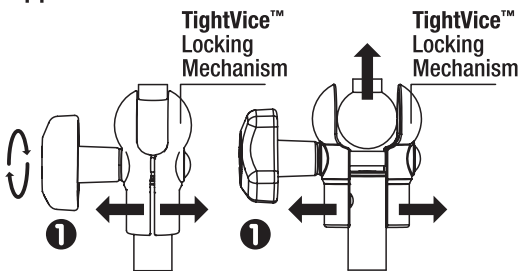
### TECHNICAL DATA

- 1/4" - 20 Camera Thread Screw
- Built-in 3/8" Mic Thread
- 3/8" to 5/8" Mic Thread Adapter
- Clamping Range: 15 mm – 33 mm (0.6" - 1.3")
- Weight: 720g (1.59 lbs.)
- Load Capacity: 1 kg (2.2 lbs.)
- Folded Size: 90 X 80 X 455 mm (3.54" X 3.15" X 17.9")

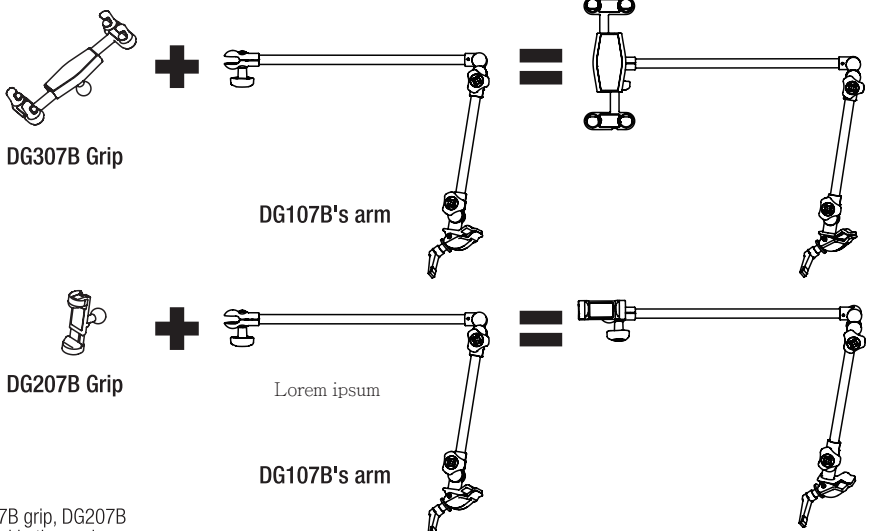


- Loosen/ tighten the knob (1,2,3) to adjust your device to desired positions.
- Loosen/ tighten Power Lock Lever (4) to attach onto the desk.

## Applications



- 2-in-1 Tablet & Phone Holder's Grip (DG307B) or Smartphone Holder's Grip (DG207B) can be connected to the DG107B's arm.
- Loosen the knob (1) to release the **TightVice Locking Mechanism** and mount either grip (DG307B/DG207B) on the **TightVice**.



The pictures of EZ mic clip (MH100B), microphone, action camera, DG307B grip, DG207B grip are for illustration's purpose only. The actual products are not included in the package.

